

100 Ton / 51 Metre



GROVE | GMK**5100**



100 t



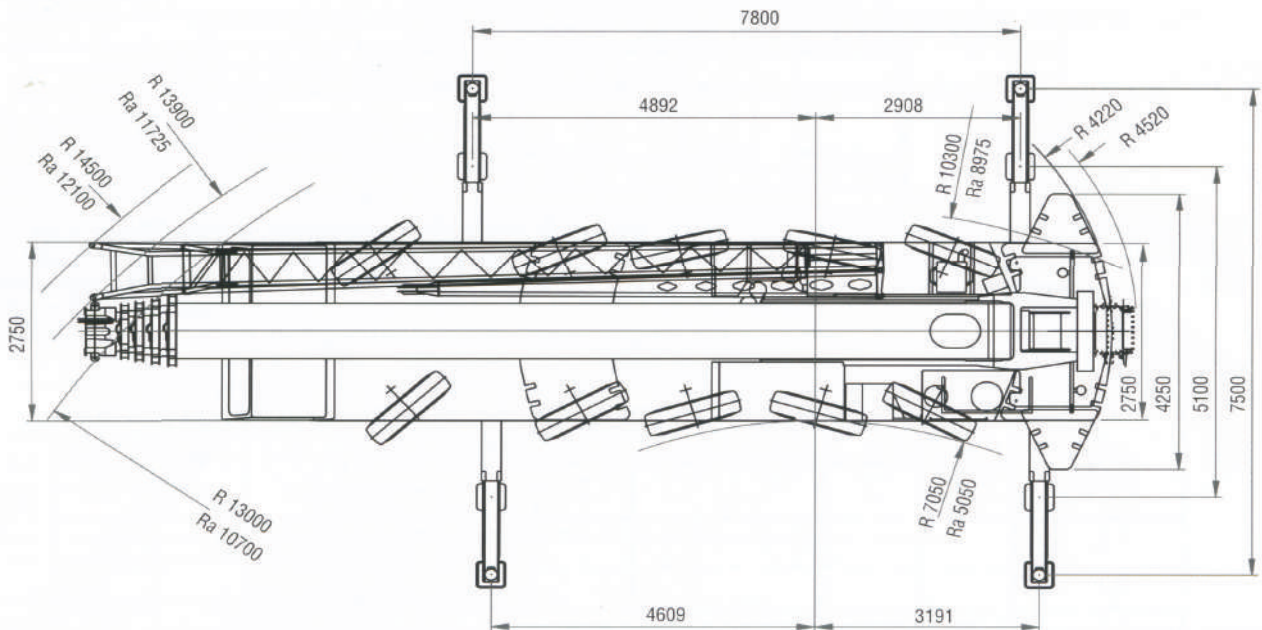
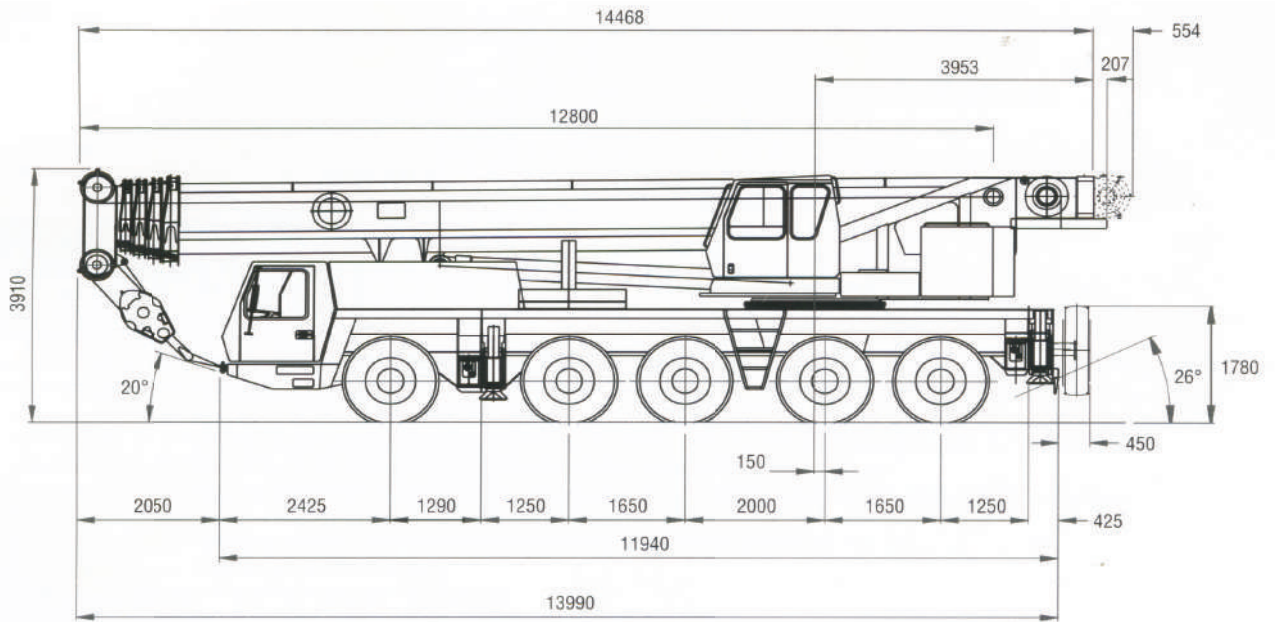
51 m

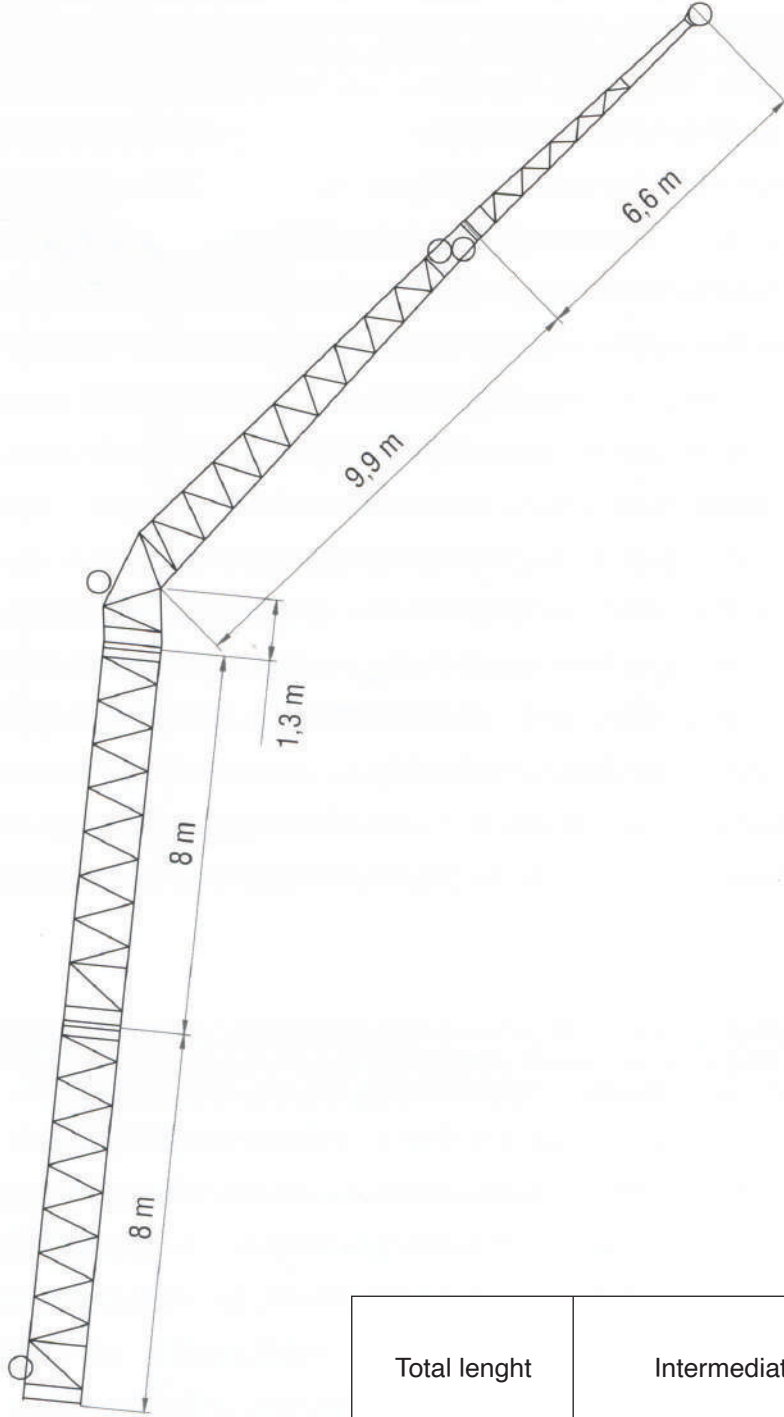


19 m

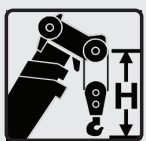
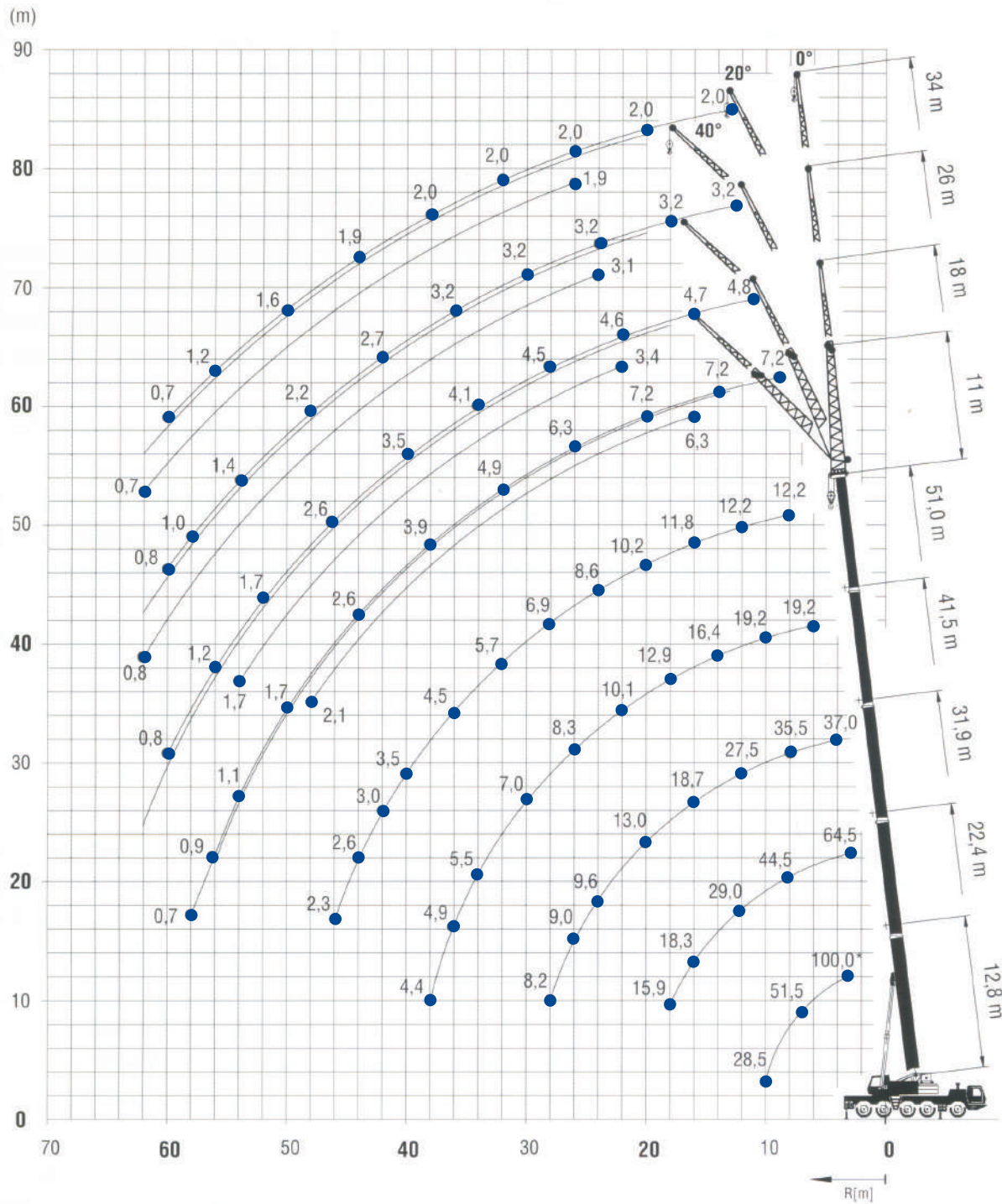


70 m





| Total length | Intermediate section boom extension make-up | | | |
|--------------|---|-------|-------|-------|
| | 8,0 m | 1,3 m | 9,9 m | 6,6 m |
| [m] | 8,0 m | 1,3 m | 9,9 m | 6,6 m |
| 11 | - | 1x | 1x | 1x |
| 18 | - | 1x | 1x | 1x |
| 26 | 1x | 1x | 1x | 1x |
| 34 | 2x | 1x | 1x | 1x |



Hook block (t)

H
(mm)

| | |
|-------|------|
| 100 D | 3160 |
| 75 D | 3070 |
| 50 E | 3000 |
| 20 E | 3770 |
| 8 H/B | 2350 |

* Over rear