

250 Ton / 70 Metre

GROVE | GMK**5250L**

250 t



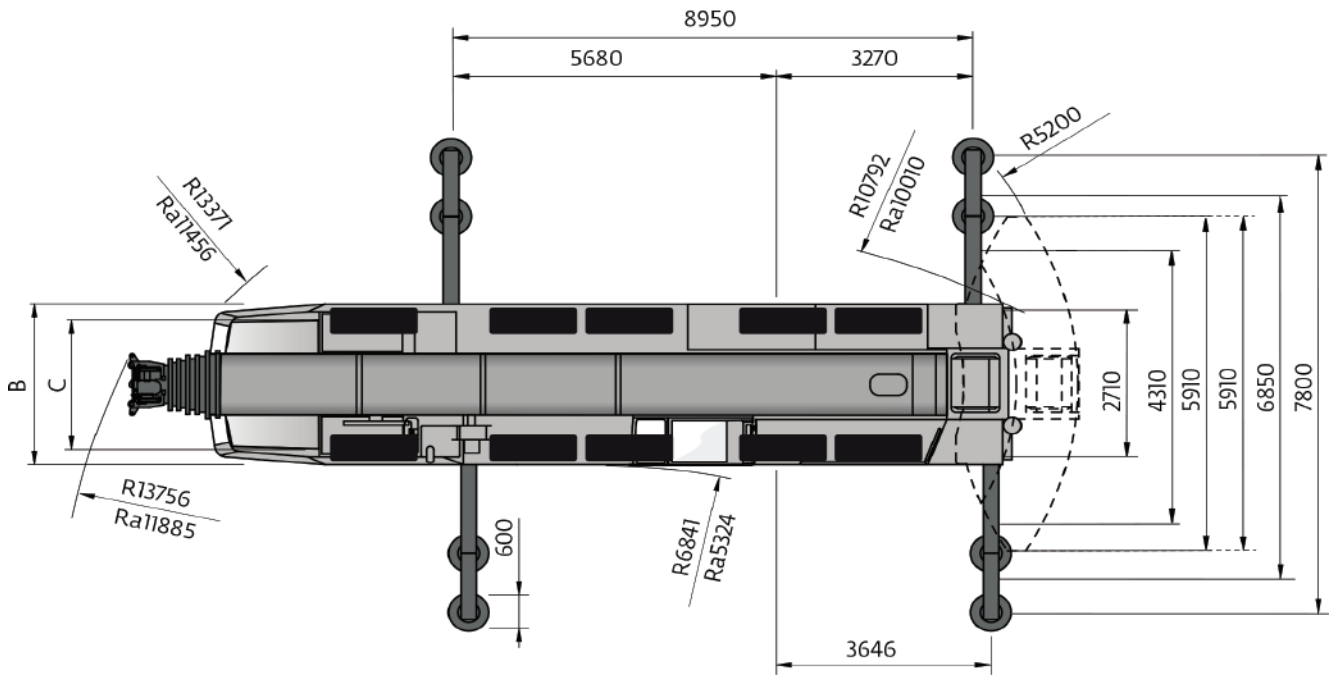
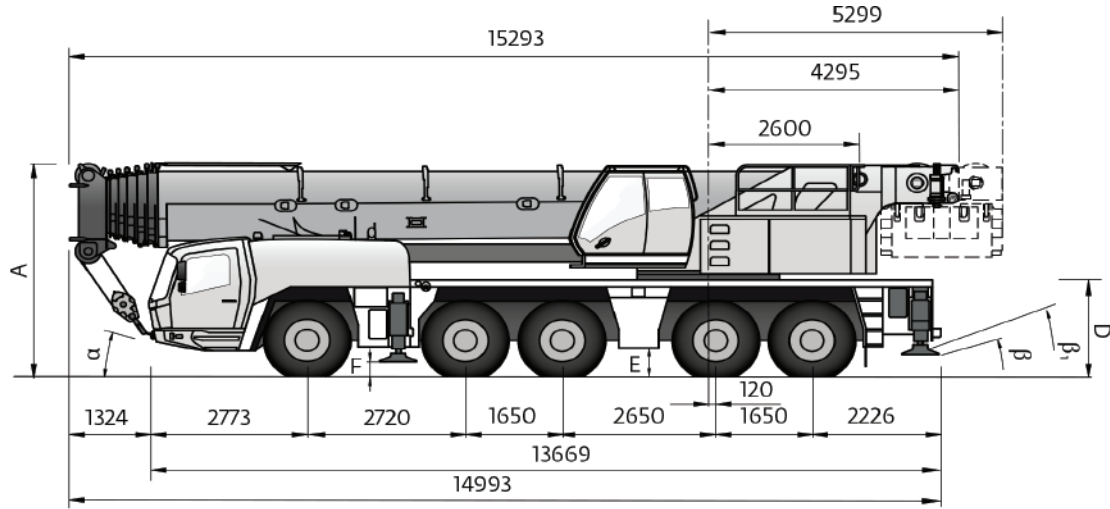
70 m



12-37 m



110 m



**Radius all wheels steered

	A	A 130 mm**	B	C	D	E	F			
385/95 R25	3950	3820	3000	2570	1822	486	228	14	8	6
445/95 R25	4000	3870	3000	2510	1872	536	278	16	10	8
525/80 R25	4000	3870	3100	2530	1872	536	278	16	10	8

**Lowered

GROVE | GMK5250L



52,8-70,0 m



12,5-21,3-29,3-37,3 m



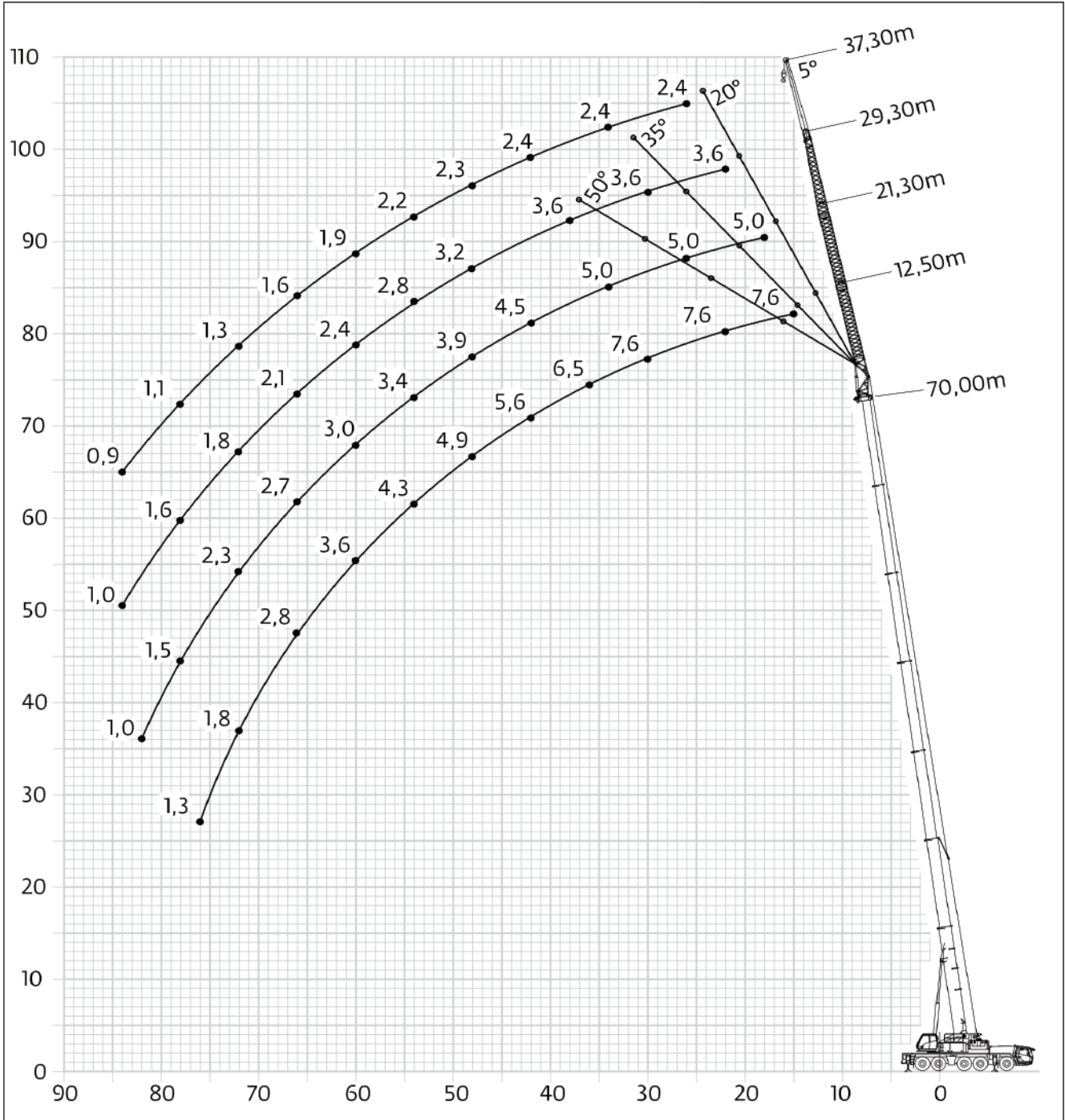
7,8 m



360°



80 t





13,3-70,0 m



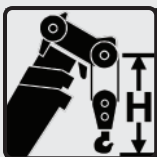
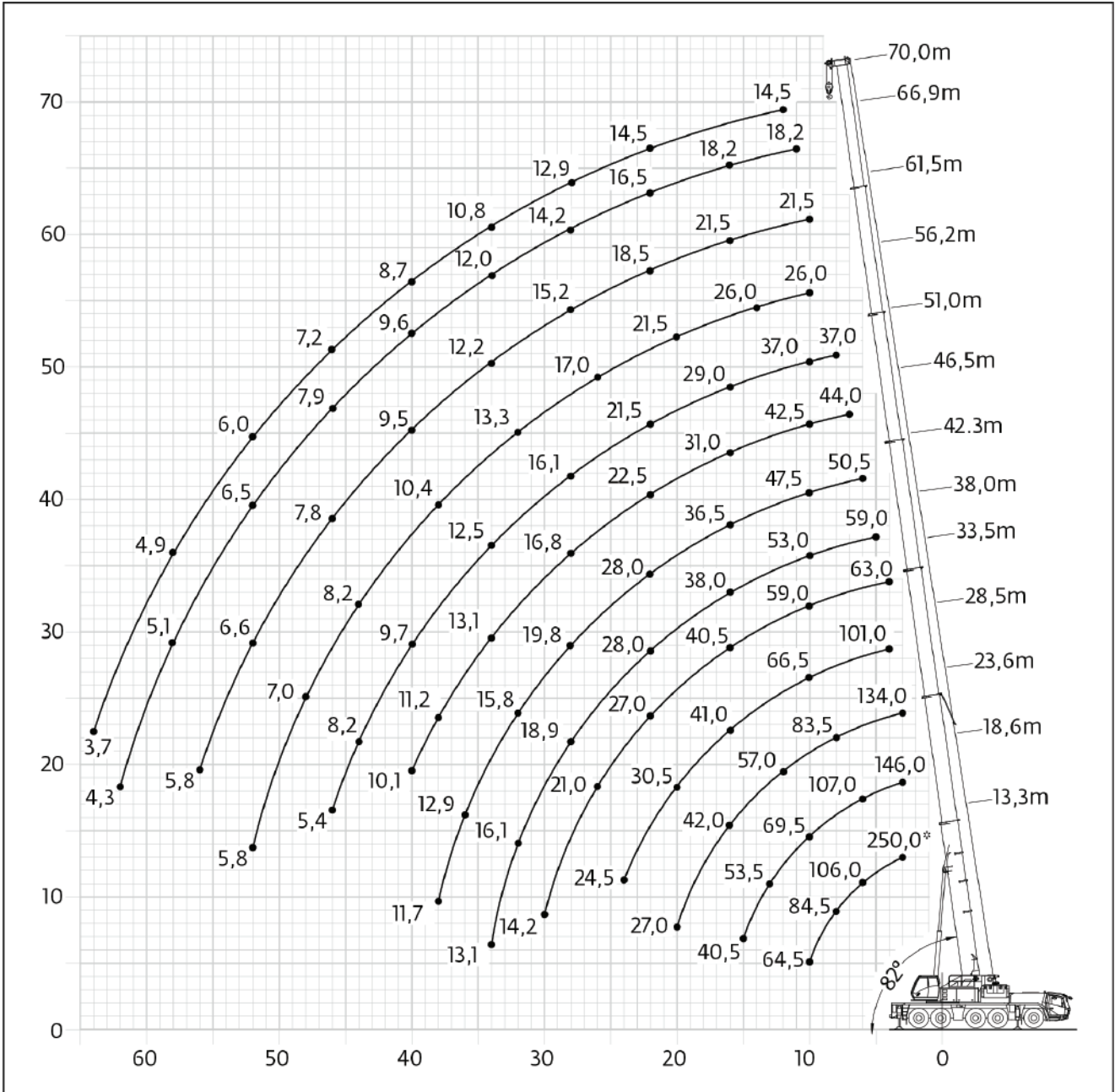
7,8 m



360°



80 t



Hook block

H (mm)

200 D	3800
160 D	3650
125 D	3600
80 D	3600
35 E	3400
12 H/B	2800

* Over rear