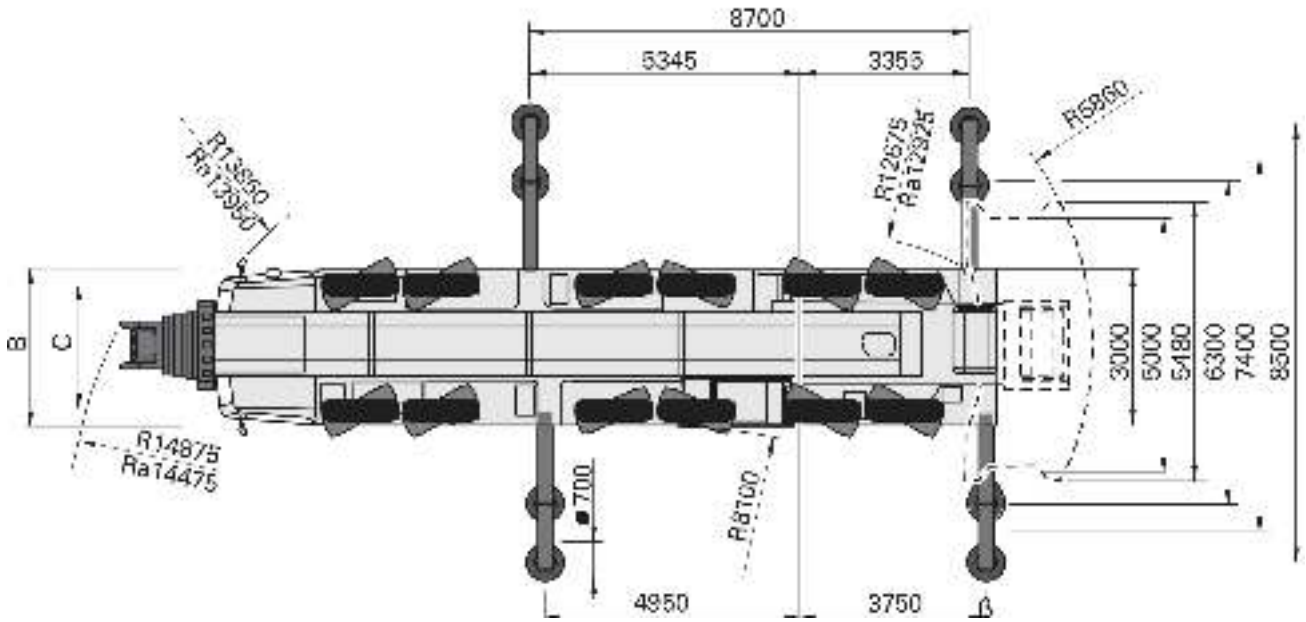
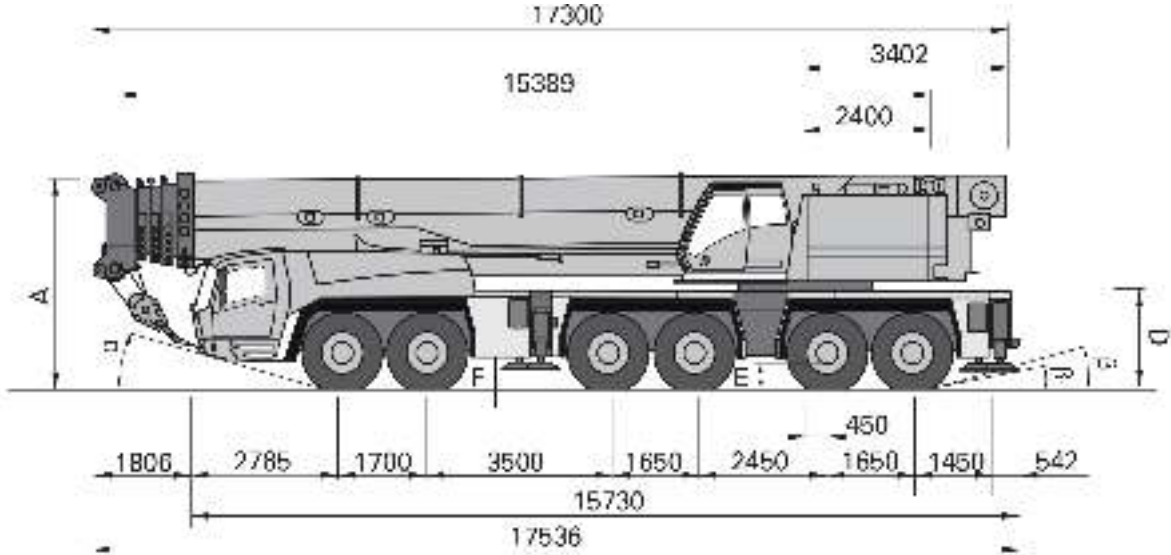


400 Ton / 60 Metre



GROVE | GMK6400

 400 t  60 m  12-79 m  136 m



**Radius all wheels steered



| ☺ | A | | B | C | D | E | F | | | |
|-----------|------|----------|------|------|------|-----|-----|----|----|----|
| | A | 130 mm** | | | | | | | | |
| 14.00 R25 | 3956 | 3826 | 2970 | 2570 | 1815 | 400 | 209 | 14 | 11 | 8 |
| 16.00 R25 | 4000 | 3870 | 2975 | 2510 | 1865 | 450 | 260 | 16 | 13 | 10 |
| 20.5 R25 | 4000 | 3870 | 3070 | 2530 | 1865 | 450 | 260 | 16 | 13 | 10 |

**Lowered



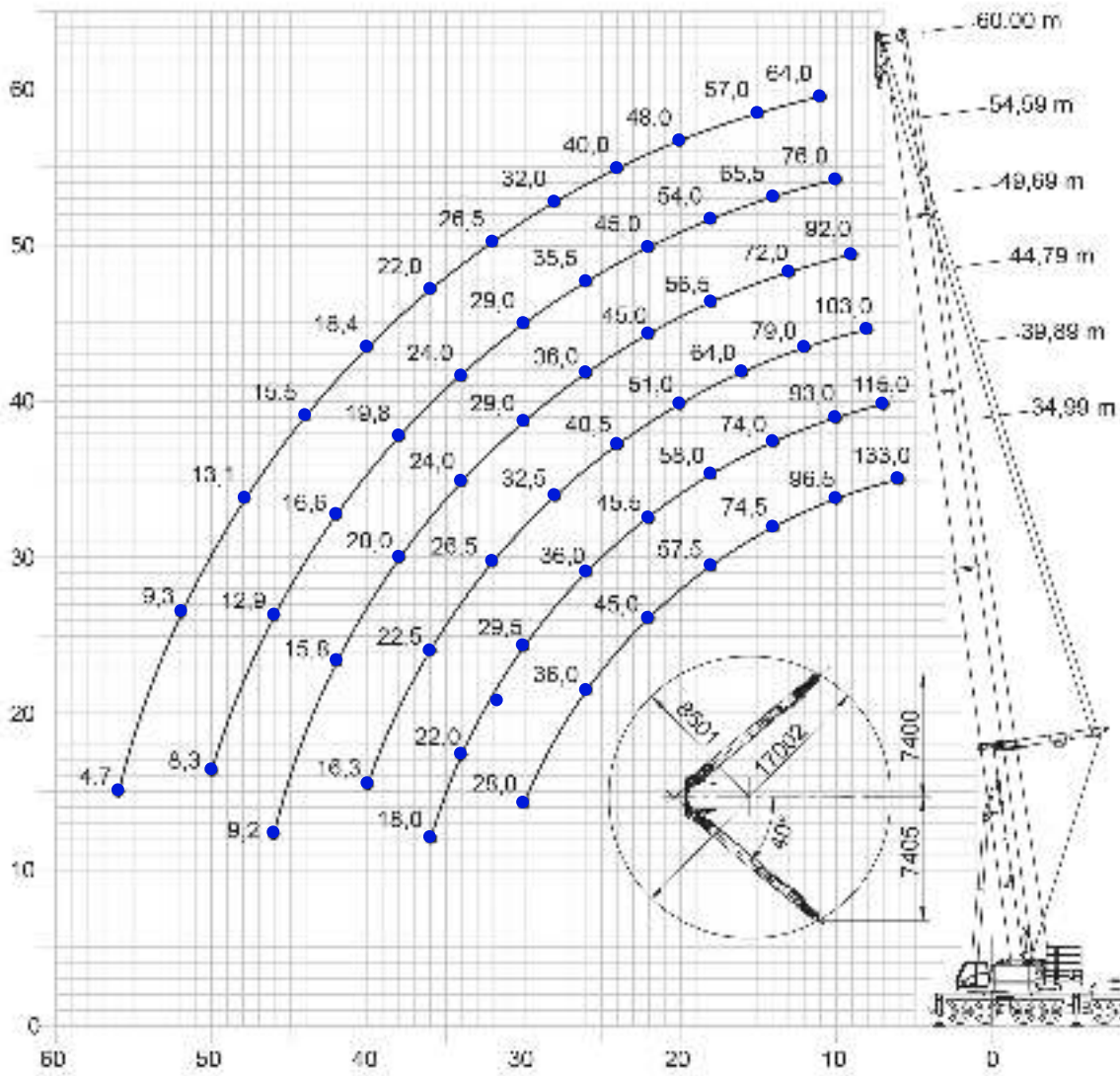
34,99 - 60,00 m



8,5 m



360°





60°-70°-80°-49,69° m



29-79 m



8,5 m



360°



135 t

